

(1) Certificate

- (2) Number of Certificate: **ZP/C002/22**
- (3) Product: **2oo3 Trip Block TCimp**
- (4) Manufacturer: **Institute Mihajlo Pupin – Automation & Control Systems Ltd.**
- (5) Address: **Volgina 15
11 060 Belgrade
Serbia**

- (6) The design and construction of these products and any acceptable variation thereto are specified in the schedule to this certificate.
- (7) The certification body of DEKRA Testing and Certification GmbH certifies that these products have been found to comply with the applicable requirements pursuant to the standard(s) referred in section 8. The examination and test results are recorded in the test and assessment report FSAR_22092020_V2_Pupin_2oo3TripBlockTCimp.
- (8) The applicable requirements are assured by compliance with the following standard(s):

IEC 61508-1:2010

IEC 61508-2:2010

VDE 2180-4:2010

The 2oo3 Trip Block TCimp is SIL 3 capable and can be used in safety related systems.

- (9) This certificate only relates to the design, examination und tests of the specified products in accordance with the mentioned standard(s). Further requirements apply to the manufacturing process and supply of this equipment. These are not covered by this certificate.
- (10) This certificate is valid until 2027-03-02.

DEKRA Testing and Certification GmbH
Bochum, 2022-03-03



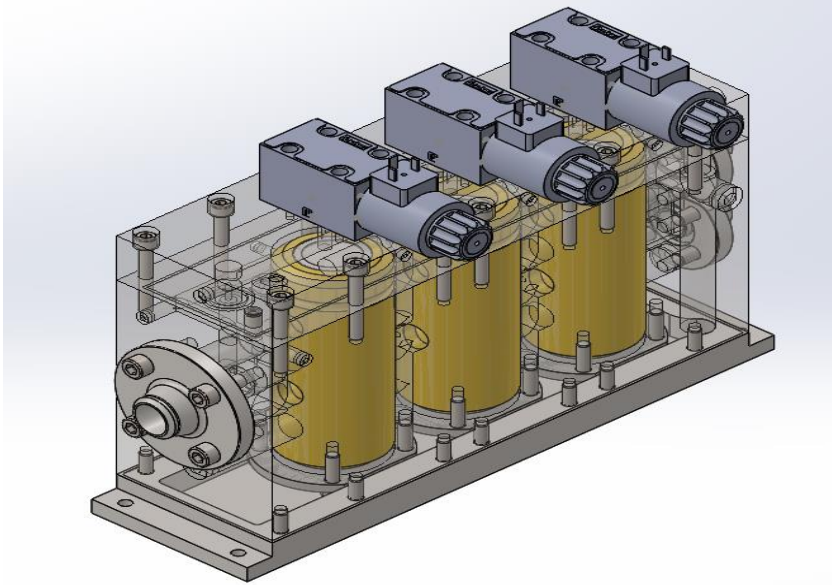
Managing Director

(11) Schedule to

(12) **Certificate**
ZP/C002/22

(13) 13.1 Subject and Type:

2oo3 Trip Block TCimp (drawing number TCF.1617.0001-rev1)



13.2 Parameters

Parameters	Abbreviation	Data
Mode of operation	-	Low demand mode
Hardware fault tolerance	HFT	0
Equipment type	-	Type A
Average Probability of failure	PFD _{AVG}	1.54×10^{-4}
Mean Time To Failure Spuriously	MTTFS	<158 years
Safety Integrity Level	SIL	SIL 3
Mean Time To Restoration	MTTR	72 hours
Prove Check Interval	T1	24 hours
Reaction time	TR	0.05 to 0.1 seconds

(14) Test and Assessment Report(s)

FSAR_22092020_V2_Pupin_2oo3TripBlockTCimp dd. 2022-02-21

(15) Special Conditions for Safe Use

The User Manual need to be read thoroughly before and during use, especially for Part 6 TCimp Testing.